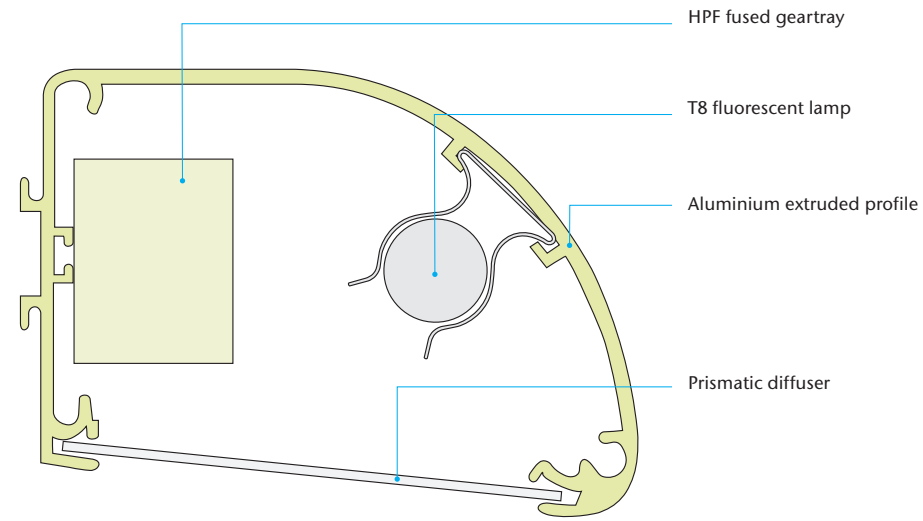


Troughlight

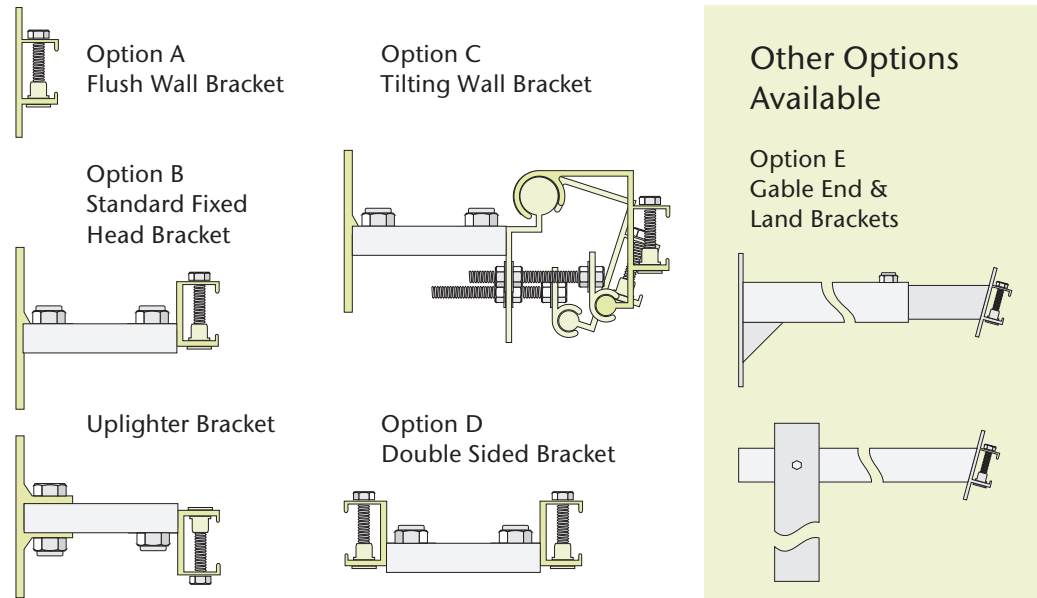
Classic design that gets better with age. The original troughlight has been specified for over 15 years and still is the standard choice for numerous signmakers and installers. The simple design gives a constant linear shadow free illumination that does without the bright spots normally associated with spotlights, the prismatic diffuser slides out of the extrusion giving access to the electrics and making the whole system easy to maintain.

The Troughlight system comes with a range of aluminium brackets with a modular design to cover just about any type of fixing requirement. The brackets are easy to install and feature a clip system that holds the Troughlight extrusion in place, but allows it to be moved into the correct position before being fully fixed, easing installation.

TROUGHLIGHT





TRUELIGHT & TROUGHLIGHT BRACKET OPTIONS



PROFESSIONAL
sign systems

T: +44 (0)191 491 1908 F: +44 (0)191 491 1878
E: info@pss-signs.co.uk W: www.pss-signs.co.uk

PROFESSIONAL
sign systems

- ILLUMINATION 
- DISPLAY 
- DIRECTIONAL 
- SIGNAGE 



MINI TRUELIGHT
compact profile

TRUELIGHT
streamline design

TROUGHLIGHT
classic system

Troughlighting is still probably one of the most cost effective ways of illuminating signage. It is a quick and easy method of giving light to an existing non-illuminated fascia and with simple to use brackets can be fitted straight out of the box in a matter of minutes.



With over fifteen years experience in troughlighting and three systems to choose from we can advise which product is best suited to any project, our team of experts will be able to talk through the benefits of each system and find the solution which will give the best illumination at the most economical price.

All our Troughlighting systems come with a host of standard features and are available with a wide range of options. The aluminium extrusion can be powder coated to any colour in both the BS and RAL ranges plus we can accommodate other paint references should they be required. A variety of standard brackets can also be customised to suit individual designs and projects.

The systems all use environmentally friendly aluminium extrusion sourced as locally as possible and are packaged in recyclable cardboard boxes or tubes.

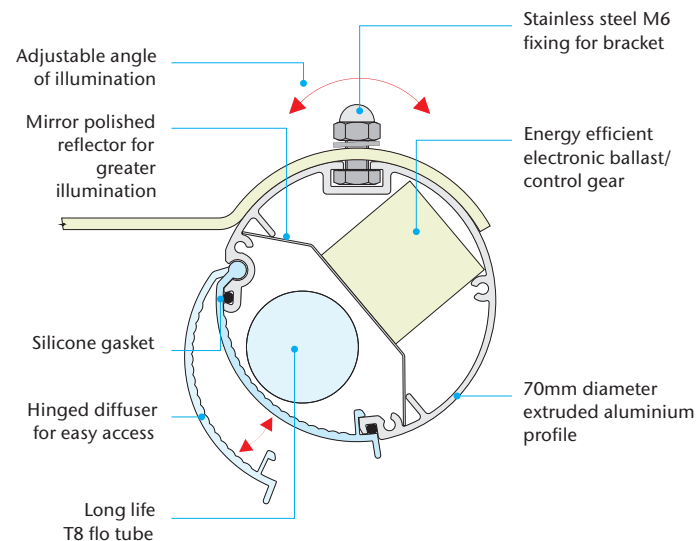
Mini Truelight

An efficient and discreet method of lighting that doesn't compromise on performance. Using the high output T8 fluorescent tubes with mirror

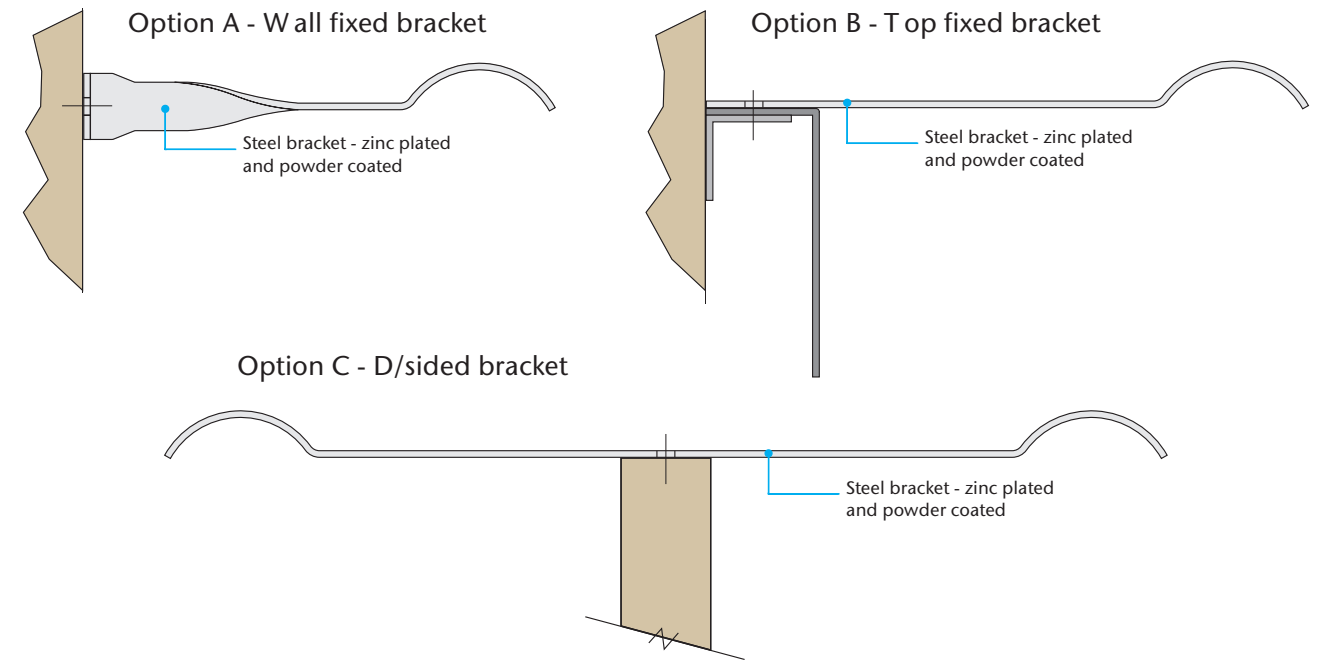
polished aluminium reflectors the Mini Truelight offers the best of both worlds, a small compact system that offers a bright uniform light.

The Mini Truelight has also been designed with maintenance in mind, a hinged polycarbonate diffuser allows easy access to the fluorescent tubes, which use the latest energy efficient electronic ballast to extend lamp life (up to 20,000 hrs) meaning less failures and costly access equipment. The system comes with a range of steel brackets specially designed to aid installation. All three types of bracket are fabricated from steel that is zinc plated for longevity and can be p/coated to match the extrusion.

MINI TRUELIGHT



MINI TRUELIGHT - BRACKET OPTIONS



Truelight

High output illumination in a streamlined design. The sleek modern appearance of the Truelight system blends in to any design or signage scheme. The aluminium extrusion comes complete with its own built in reflector to aid light output and has the unique hinged polycarbonate diffuser for easy access and maintenance. The diffuser has angled ribs built in to direct the illumination in the right direction which along with the specifically designed

brackets help give the sign an even spread of light.

The Truelight system can also be specified with twin fluorescent tubes to greater boost the illumination of advertising hoardings and large format graphics and it can be supplied with a range of custom built long reaching aluminium land and gable end brackets designed for this type of application.

TRUELIGHT

